



# Square Bolt Momentary Switch

Kiepe TSS 001

## Description

TSS 001 is a switch with the performance of a momentary contact. Operation is made with a square-bolt socket wrench<sup>1)</sup>. Therewith it is guaranteed that the switch can not be operated by unauthorized persons. The resetting is obtained with spring load.

By choosing a square-bolt socket wrench instead of a safety key a more robust make is achieved.

The switch is designed for an installation opening  $\varnothing 33$  mm and grid dimension min. 48 x 60 mm.

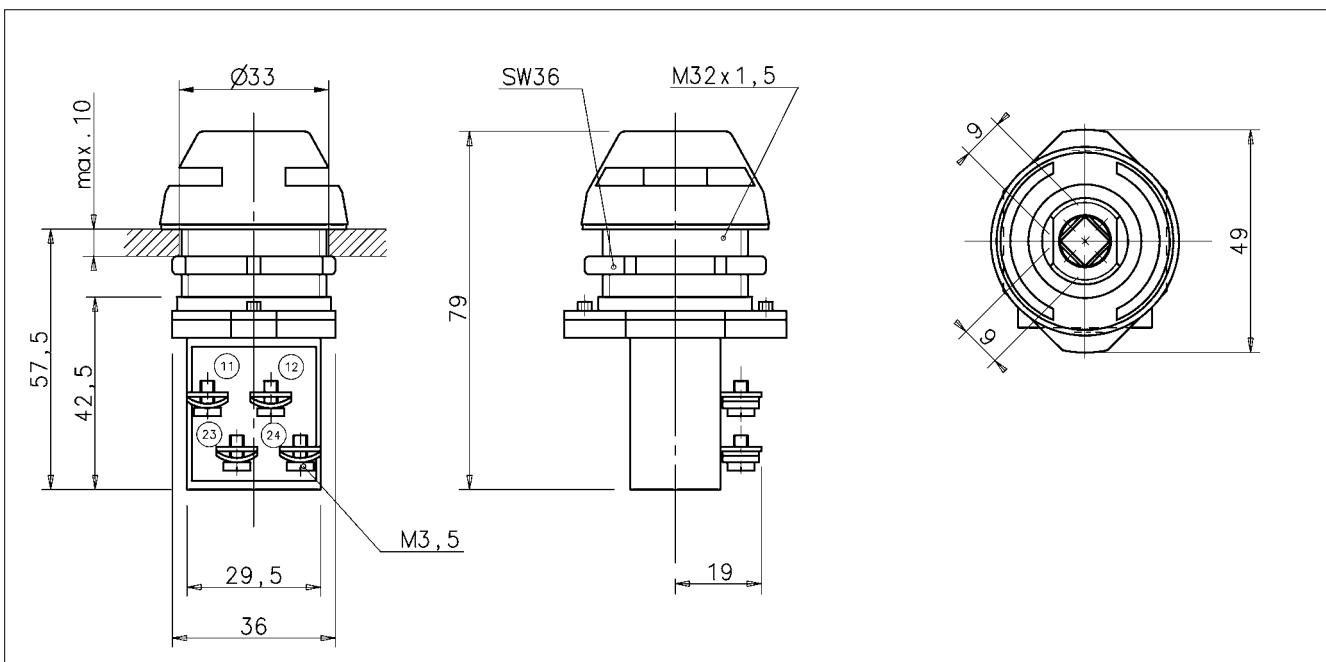
<sup>1)</sup> Not included in scope of supply

## Technical data

Type	TSS 001
Order no.	96.052 894.001
Operation	
- square-bolt	9 x 9 mm / BN 42 1007
Contact arrangement	1 NO 1 NC
Thermal current $I_{th}$	10 A
Short circuit protection	
- slow to blow fuse	10 A
Nominal isolation voltage $U_i$	AC 230 V / DC 230 V
Switching capacity	
- AC 230 V / AC 15	6 A
- DC 24 V / DC 13	5 A <sup>2)</sup>
Connection	
- flexible, screw terminal	$\leq 1,5 \text{ mm}^2$
Protection type	
- terminals / contacts	IP 00 / IP 20
Permissible ambient temperature	-25° C ... +65° C
Tests (Specifications)	EN 60 947 (BN 42 1007)
Weight approx.	210 g

<sup>2)</sup> 24 V / 10 mA if no greater previous load was switched

## Dimensions



Vossloh Kiepe GmbH  
 Kiepe-Platz 1 · D-40599 Düsseldorf  
 Telefon: +49(0)211/7497-0  
 Telefax: +49(0)211/7497-300  
 info@vkd.vossloh.com  
 www.vossloh-kiepe.com

Subject to change without notice.