



Electronic Light Sensitive Switch

Kiepe EDG 101

Description

The Electronic Light Sensitive Switch Kiepe EDG 101 has been developed for heavy duty application in rail and road vehicles. The Light Sensitive Switch

serves to switch-on or -off the lighting depending on the daylight. The housing is provided with a window allowing the light to enter onto a

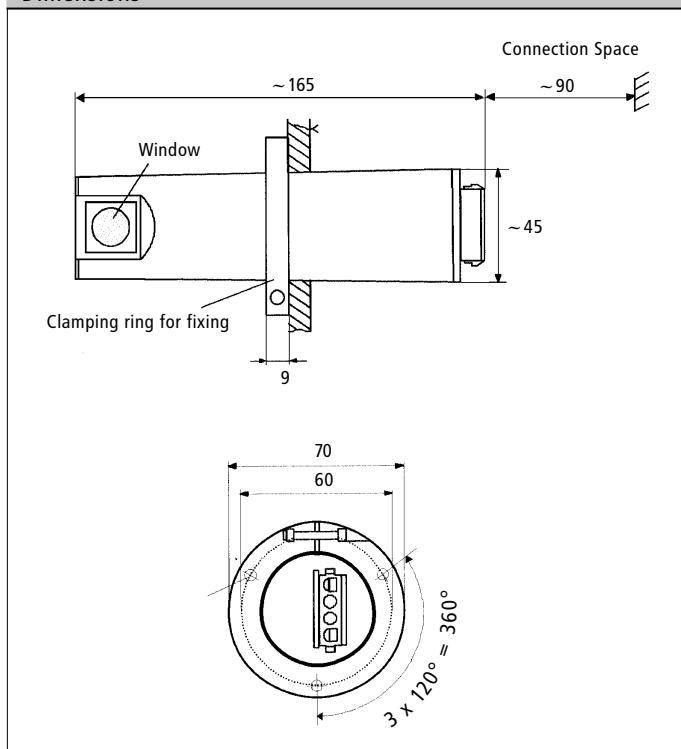
photodiode. It is sensitive to the intensity of light. A microcontroller controls the short circuit proofed output transistor.

Technical Data

Type	Kiepe EDG 101
Rated control supply voltage U_e	DC 24 ... 110 V +25/-30 %
Power consumption	≈ 1 W
Rated insulation voltage U_i	DC 110 V (VDE 0110/3)
Switching element	Transistor
Load max.	$\geq 40 \Omega$ (24 V)
	$\geq 110 \Omega$ (36 V)
	$\geq 820 \Omega$ (72 V)
	$\geq 1 \text{ K}\Omega$ (110 V)
Switch-on trigger, adjustable ¹⁾	$2 \text{ lx} \leq E1 \leq 20 \text{ lx}$
On-delay	$\leq 0,2 \text{ s}$
Switch-off trigger, adjustable ¹⁾	$2 \times E1 \dots 10 \times E1$
Off-delay	$15 \text{ s} \pm 5 \%$
Ambient temperature	$-25^\circ\text{C} \dots +70^\circ\text{C}$
Housing	Polyamid GV, black
Protective arrangement	protective insulated
Degree of protection	IP 30
Mounting position (attention to light incidence)	optionally
Weight approx.	200 g
Connector (crimp-wiring)	AMP - Universal - Mate - N - Lok
Wire cross section, flexible	$3 \times (0,75^2 \dots 2,5^2)$
Cable outlet	$\varnothing 1 - 4,8 \text{ mm}$

¹⁾ Please specify when ordering

Dimensions



For your project we recommend considering the standard design in terms of both price and delivery time.

Standard Part	Kiepe EDG 101
Order-Nr.	96.052 628.001
Switch-on trigger	$9 \text{ lx} \pm 1,5 \text{ lx}$
Switch-off trigger	$90 \text{ lx} \pm 3 \text{ lx}$

Vossloh Kiepe GmbH
 Kiepe-Platz 1 • 40599 Düsseldorf, Germany
 Telefon: +49(0)211/7497-0
 Telefax: +49(0)211/7497-300
 info@vkd.vossloh.com
 www.vossloh-kiepe.com

The current edition of this brochure can be found on our homepage

Subject to change without notice.