



Electric Warning Bell

Kiepe MWG

Description

The warning bell Kiepe MWG, operated by electric motor, is a signal emitter and suited especially for fitting into vehicles and industrial plants.

The speed of the motor, which is reduced by the wormdrive is transmitted to the lever. The disks on the lever fitted with large clearance, are pressed to the outside because of the centrifugal force, hit

the edge of the bell at each rotation and rebound again. The bell dome with the eccentric arranged bore hole is adjusted such that with a disk pressed to the inside the distance to the dome is 1 to 1.5 mm. Experience has shown that with this the highest volume is achieved.

Technical Data

Type	Kiepe MWG 1
Operating voltage ¹⁾	DC 24 V
Permissible tolerance ²⁾	+ 20 %, - 30 %
Switching on time (20 °C)	100 % ED
Power consumption of motor	10 W
Connection Rightangleplug	GDML 2016 GE 1 G DIN EN 175 301-803-A
Permanent ambient temperature	- 25 °C ... + 70 °C
Number of strokes per second ³⁾	20 / 40
Volume (distance 7 m) approx.	95 dB (A)
Protection class motor according to EN 60526	IP 44 K
Weight approx.	7,5 kg

¹⁾ Other voltages on request

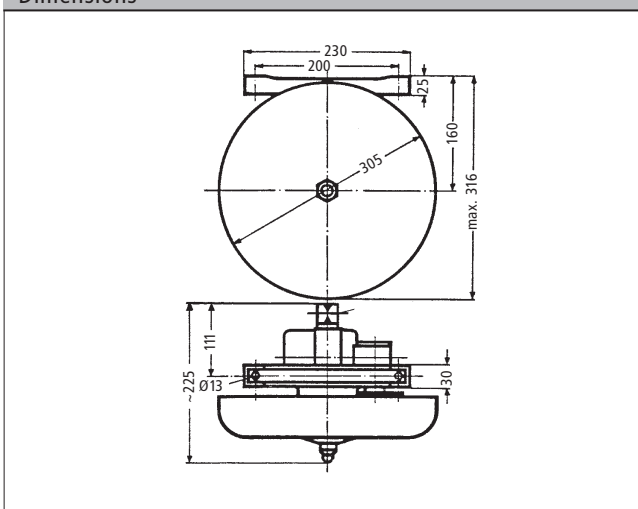
²⁾ +25 % permitted for short-time operation

³⁾ To be specified when ordering

Subject to change without notice.

Ordering formula	MWG1	20	024
Number of strokes/sec. 20			
Operating voltage DC 24 V			

Dimensions



Vossloh Kiepe GmbH
 Kiepe-Platz 1 · D-40599 Düsseldorf
 Telephone: +49(0)211/7497-0
 Telefax: +49(0)211/7497-300
 info@vkd.vossloh.com
 www.vossloh-kiepe.com