



product
design
award

2007 gold

Emergency Brake Switch

Kiepe NBS 400

Description

The emergency brake switch of type series Kiepe NBS 400 is the modern successor of former type series Kiepe NBS 200. Handle and front of the housing are one part. If there is sufficient free space for pulling the handle, the Kiepe NBS 400 is compatible with the designs of the Kiepe NBS 200 and Kiepe NBS 500. When the emergency brake switch of the type series Kiepe NBS 400 is actuated via pulling of the handle, the non-influenceable

triggering of an energy store follows when a pressure point has been overwon. Due to the energy store the actuation of the contacts and the interlocking are performed simultaneously. The contacts have positive opening operation. Unlocking is made with a socket spanner¹⁾. The pulled handle is returned by a spring in connection with the unlocking. A variant is available without interlocking and with self reversing by spring feather. Lead sealing is possible.

The Kiepe NBS 400 has got an add-on casing and does not require a cutout in the mounting space if equipped with 2 change-over contacts. The height above installation surface amounts to approx. 45 mm. If not actuated the fixing screws are not accessible. An inscription²⁾ can be provided on the casing.

¹⁾ Not included in scope of supply

²⁾ To be specified when ordering

Technical data

Type	Kiepe NBS 400
Rated insulations-voltage	DC 110 V +25/-30%
Ambient temperature	-25 ... +70° C
Protection type ¹⁾	IP 40
Unlocking ²⁾	Square bolt / Triangular bolt / self reversing by spring feather
Contacts (Change-over contact, 3 terminals) ⁵⁾	2
Thermal current	10 A
Rated switching capacity (24 V/110 V) ^{3) 4)}	6 A/0.3 A
Connection	Faston plug 6.3 mm
Weight approx.	0.8 kg
Colour ²⁾	RAL 3000 / RAL 3020 (red)
Operating force approx.	100 N (without lead sealing)
Actuating height approx.	15 mm

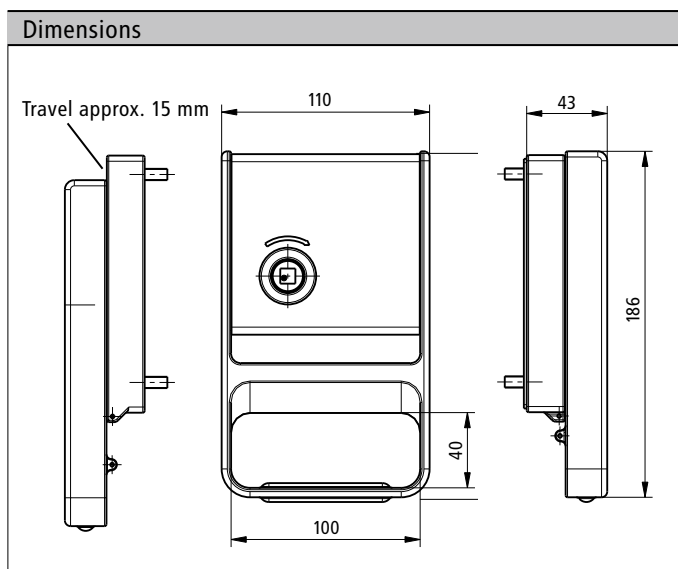
¹⁾ After installation and not operated

²⁾ To be specified when ordering

³⁾ DC 13

⁴⁾ Min. load 10 V / 30 mA for new switches

⁵⁾ 3 change-over contacts possible if cut-out in mounting surface is present



For your project we recommend to take in consideration the advantageous standard component.

Standard-Part	Kiepe NBS 400
Order no.	91.059 857.004
Unlocking	Square bolt 8x8 mm
Colour (red)	RAL 3000
Inscription	without
Operating force approx.	100 N (without lead sealing)

Vossloh Kiepe GmbH
Kiepe-Platz 1 • 40599 Düsseldorf, Germany
Phone: +49(0)211/7497-0
Fax: +49(0)211/7497-300
info@vkd.vossloh.com
www.vossloh-kiepe.com

The current edition of this brochure can be found on our homepage.

Subject to change without notice.