

# Change-over Switch

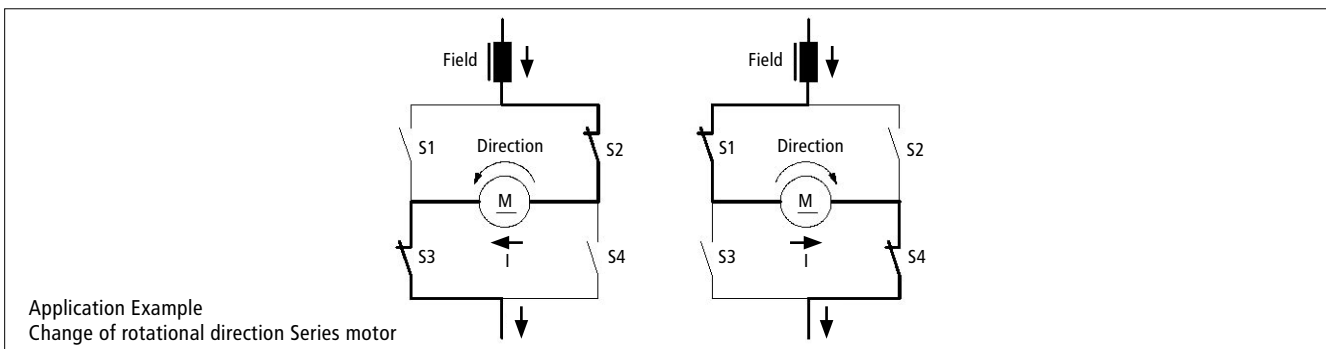
Kiepe RWP

# Change-over Switch RWP

## Description

The Kiepe RWP Change-over Switch is a cam switch suitable for load-free switching between 2 circuits or for the multipole switching of up to 4 circuits of DC-drive technology. It can also be used for direction reversal with DC motors or the switching between motor and generator operation. Using its electropneumatic actuation, it can instantaneously switch from one position into the other. The Kiepe RWP can also be used as a disconnecting switch, since the achieved end position is reliably held in place.

Contact configuration is optionally possible as normally open or normally closed – this is defined via the cams – with a max. of 4 contacts per end-of-stroke (i.e. 2x4). Change-over contacts can be realized via the interconnecting of normally open and normally closed contacts. Contacts for thermal currents of 290 A or 400 A are optionally available. In order to increase thermal load capacity, each two contacts can be switched in parallel. The electropneumatic design is made for control via short electrical pulses.



## Technical Data

<b>Contacts</b>		
- Rated insulation voltage	DC 900 V (VDE 0110 degree of pollution 3)	
- Rated operating voltage up to	DC 750 V + 25 / - 30%	
- Rated switching capacity	no	
<b>Contacts, optional <sup>1) 2)</sup></b>		
- Position 1	number up to	4
- Position 2	number up to	4
- Thermal current <sup>1)</sup>	Contact NSI 25	Contact NSI 35
- One-poled	290 A	400 A
- Two-poled parallel switch	500 A	700 A
- Connection	M10	2 x M8
<b>Aux. switch, optional <sup>1)</sup></b>		
- Rated insulation voltage	DC 110 V	
- Control voltage up to	DC 110 V + 25 / - 30%	
- Rated breaking capacities DC 13	2,1 A (24 V) / 1,1 A (110 V)	
- Short-circuit protection	10 A fuse	
- Thermal current	16 A	
- Connection	6.3 mm fast-on connector	
<b>Control</b>		
- Electropneumatic actuation		
- pressure	3,5 ... 7 bar	
- Control voltage solenoid valve <sup>1) 3)</sup>	DC 24 V or 110 V + 25 / - 30%	
- Power consumption solenoid valve	approx. 15 W	
<b>Other</b>		
Degree of protection	IP 00	
Weight	approx. 18 kg (2 x 2 contacts NSI 25)	
Ambient temperature	-25°C ... +70°C	
Mounting position	Base plate horizontal or vertical with horizontal cam-shaft	

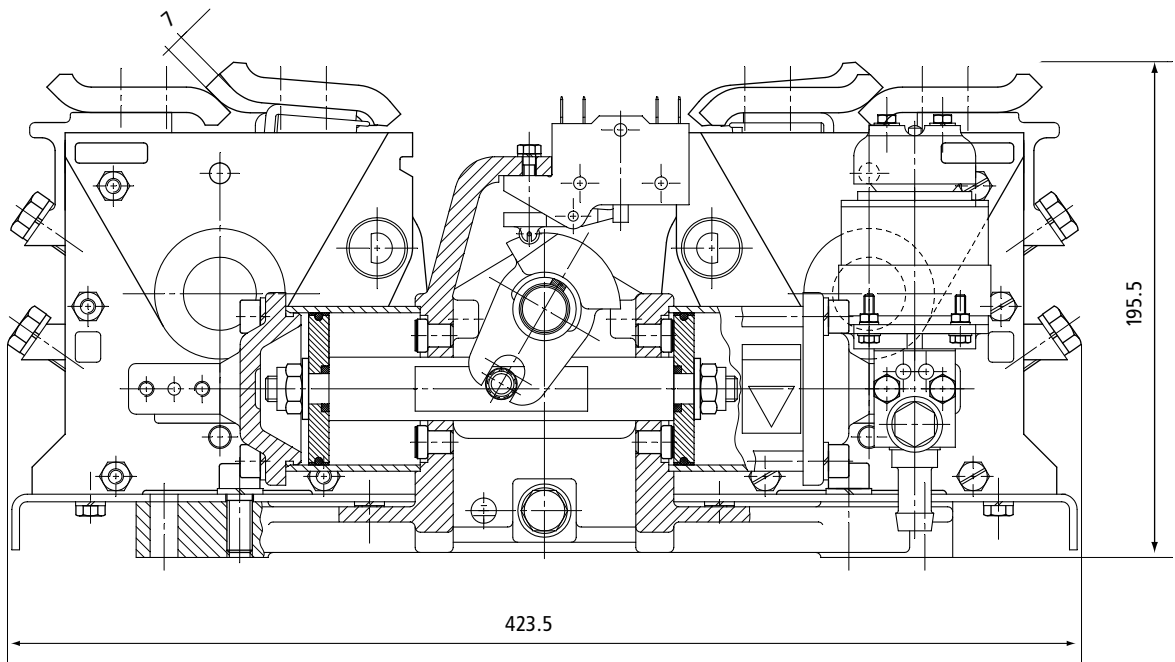
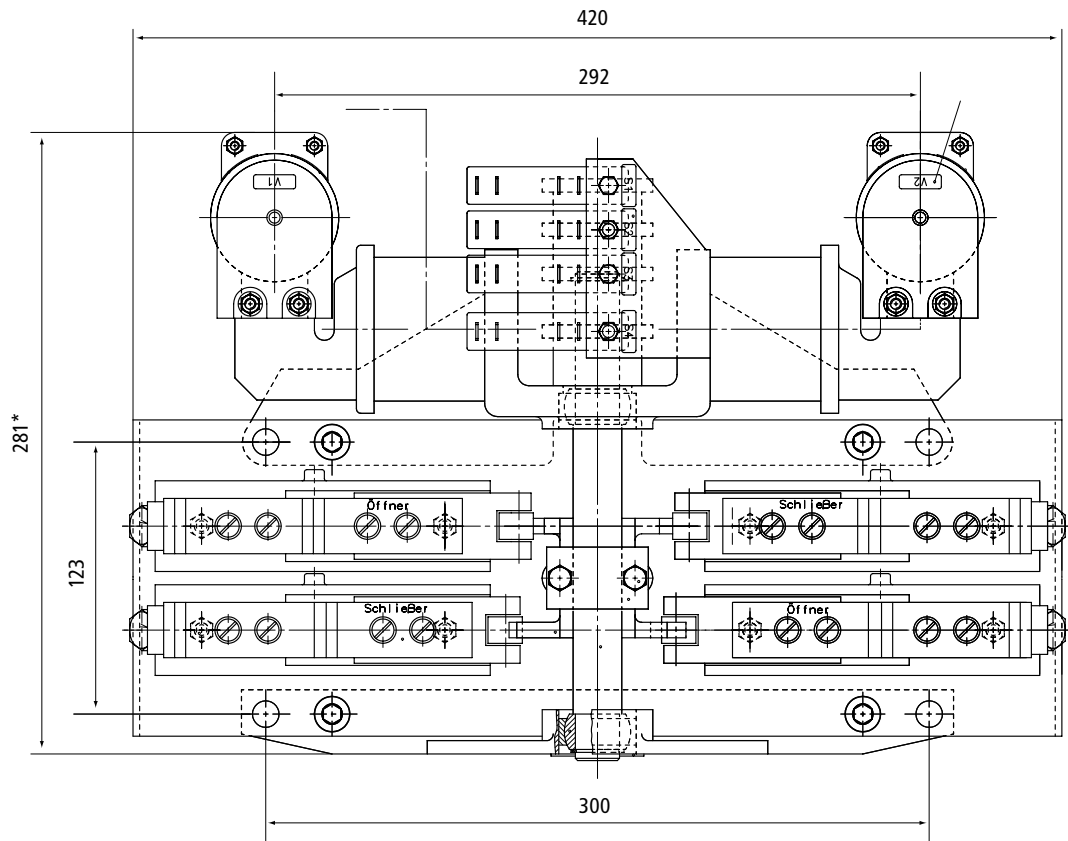
<sup>1)</sup> Indicate when ordering

<sup>3)</sup> pulsed operation

Subject to change without notice.

<sup>2)</sup> Change-over contacts realized with two-by-two arrangement of NO/NC

Dimensions



\* Length with 4 contacts in a row: approx. 370 mm

Vossloh Kiepe GmbH  
Kiepe-Platz 1 · D-40599 Düsseldorf, Germany  
Phone: +49(0)211/7497-0  
Fax: +49(0)211/7497-300  
[info@vkd.vossloh.com](mailto:info@vkd.vossloh.com)  
[www.vossloh-kiepe.com](http://www.vossloh-kiepe.com)